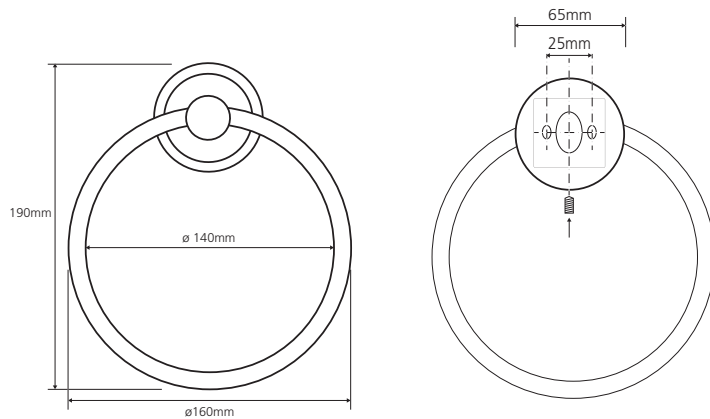


PSE10611



FR Spécifications techniques

Porte-serviette anneau

Caractéristiques

Matière : laiton patiné

Dimensions : L160 x H190 x P65mm

Fixation

Platine et vis pointeau

Visserie et chevilles fournies

● Existe en Chrome

UK Technical specifications

Ring towel holder

Features

Material: Light antique brass

Dimensions : W160 x H190 x D65mm

Fixings

Support plate and grub screws

Screws and wallplugs included

● Available in Chrome