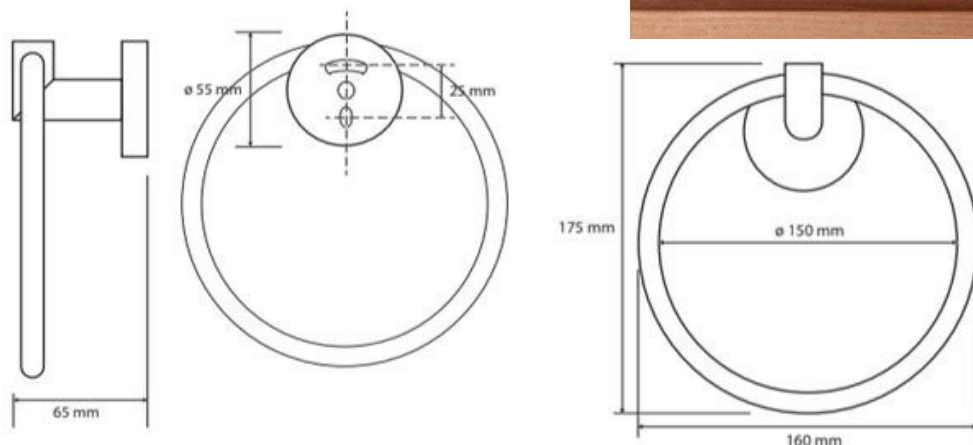


PSE08107



FR Spécifications techniques

Porte-serviette anneau

Caractéristiques

Matière : laiton

Finition : chrome

Dimensions : L160 x H175mm

Fixation

Platine et vis pointeau

UK Technical specifications

Ring towel holder

Features

Material: brass

Finish: chrome

Dimensions : W160 x H175mm

Fixings

Plate and set screws