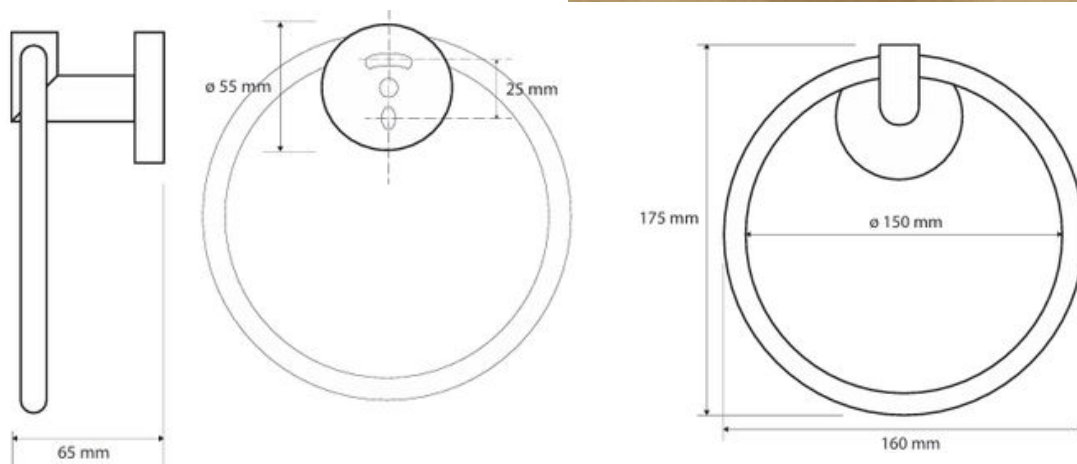


PSE08107



FR Spécifications techniques

Porte-serviette anneau

Caractéristiques

Matière : Laiton

Finition : Chrome

Dimensions : L160 x H175 x P65mm

Fixation

Platine et vis pointeau

UK Technical specifications

Ring towel holder

Features

Material: Brass

Finish: Chrome

Dimensions : W160 x H175 x D65mm

Fixings

Support plate and grub screws