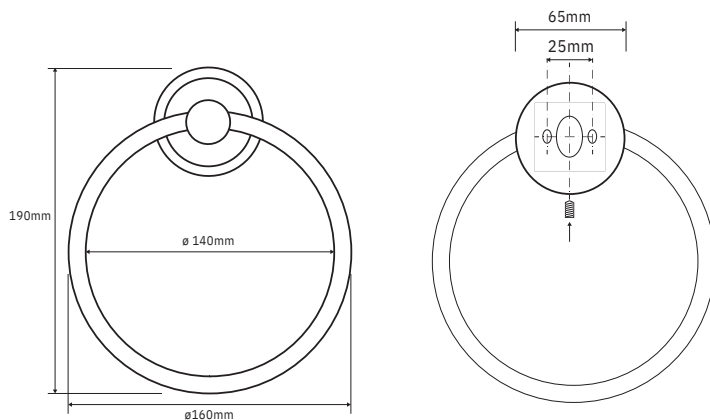


PSE10711



FR Spécifications techniques

Porte-serviette anneau

Caractéristiques

Matière : laiton chromé

Dimensions : L160 x H190 x P65mm

Fixation

Platine et vis pointeau

Visserie et chevilles fournies

 Existe en laiton patiné

UK Technical specifications

Ring towel holder

Features

Material: chrome brass

Dimensions : W160 x H190 x D65mm

Fixings

Support plate and grub screws

Screws and wallplugs included

 Available in light antique brass