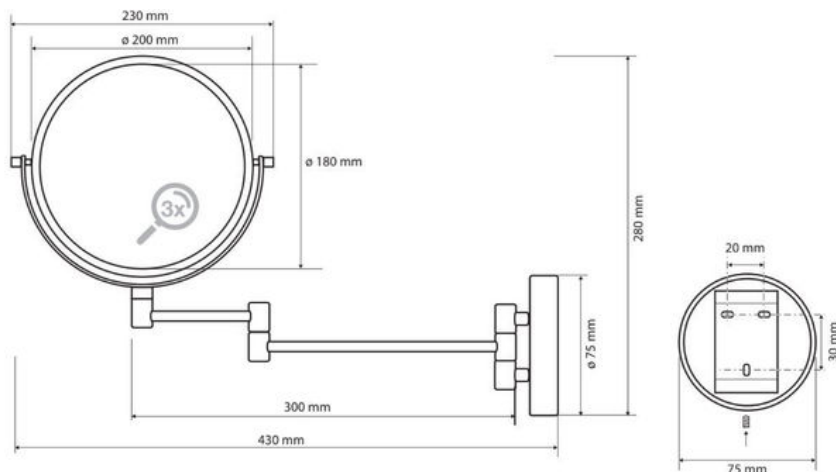


MIR11413



FR Spécifications techniques

Miroir grossissant

Caractéristiques

Matière : laiton

Finition : blanc

Dimensions : L230 x H280 x P430mm

Fixation

Platine et vis pointeau

Visserie et chevilles fournies



UK Technical specifications

Cosmetic mirror

Features

Material: brass

Finish : white

Dimensions : W230 x H280 x D430mm

Fixings

Support plate and grub screws Screws and wallplugs included

